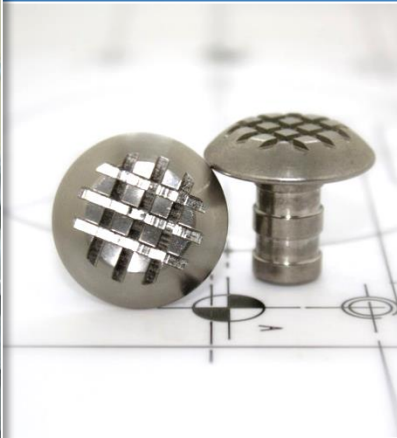
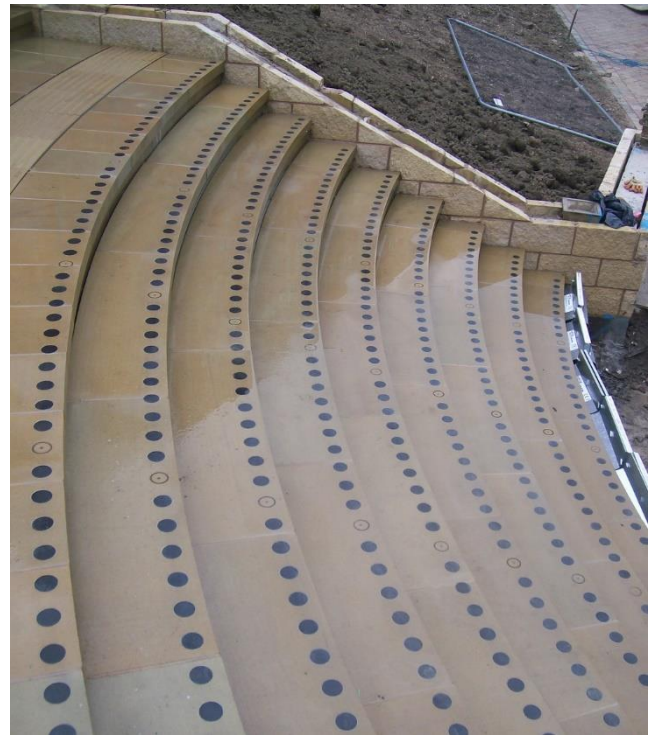


TACTILE RANGE

tactile studs - corduroy hazard warning lines - demarcation - visual aids - skateboard deterrents



FACILITY
FLOORING





TACTILE PAVING STUDS

Fully compliant to the building regulations and the Disability Discrimination Act (DDA)

The studs have been tested by Ceram and have **passed the slip test** in both wet and dry conditions.

It is a system of textured ground surface indicators found on many footpaths, stairs and train stations platforms to **assist blind and vision impaired** pedestrians. Tactile warnings provide a distinctive surface pattern of "truncated domes" or cones which are detectable by long cane or underfoot which are used to alert people with vision impairments.

The relatively high cost of having bespoke blister paving manufactured in a stone to match or complement other stone paving in the vicinity has resulted in the use of retro fixed studs that are affixed to standard paving units. The studs are **fixed by drilling the paving and gluing into position**.

The **retro-fitted tactile** paving studs are fitted once the paving is installed, and therefore almost any stone paving can now be used for crossing points as the stones ability to be milled to a blister profile is irrelevant

Layout of Tactile Paving Studs

Square Layout

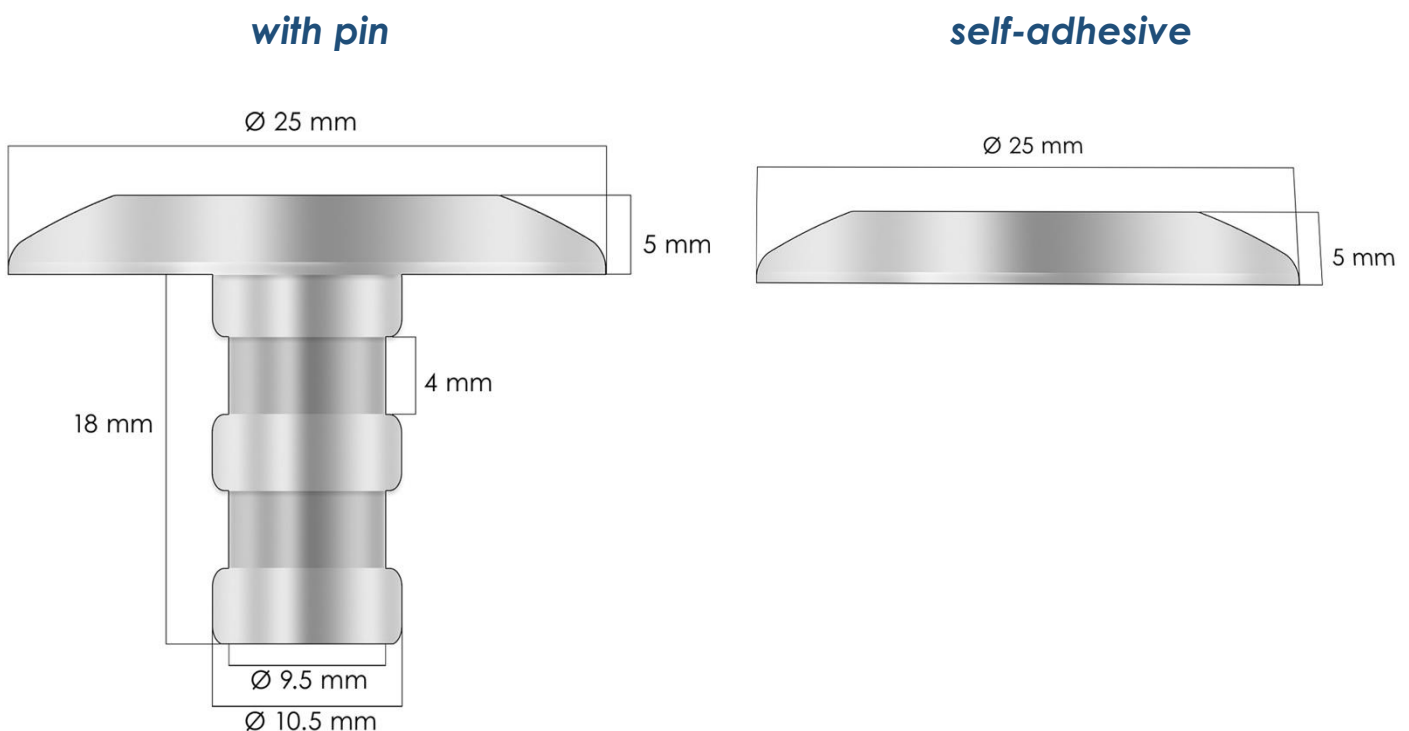
This is the most common type and features Tactile Studs in a square pattern at 67 mm spacing.

These are often used to indicate pedestrian crossings with dropped kerbs. A minimum at 800mm area should be covered with Tactile studs away from the edge of the kerb.

Offset Layout

The second is the offset layout which consists of 6 rows of studs at 67mm spacing and each alternate row is offset at 33.5mm

Drawings



Domed



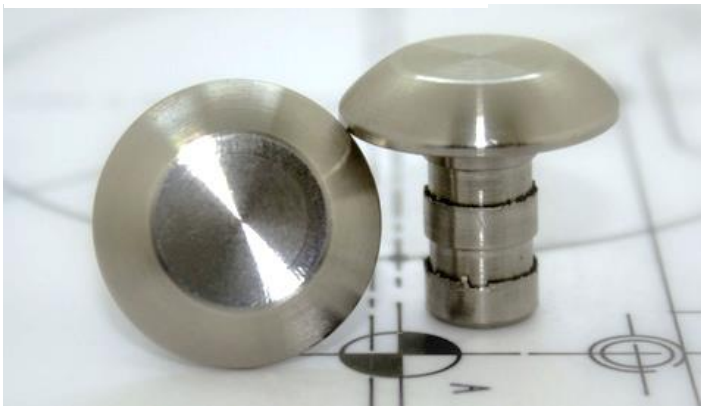
Circular V



Circular Grooved



Plain



Centre



Cross Grip



Pyramid





CORDUROY HAZARD WARNING STRIPS

Fully compliant to the building regulations and the Disability Discrimination Act (DDA).

The corduroy strips have been tested by Ceram and all have passed the **slip test** in wet and dry conditions.

This form of tactile paving has raised ribs to **warn blind and partially sighted people of a potential hazard** ahead. The ribs, spaced at 50 mm centres, are installed at right angles to the direction of travel.

Corduroy Hazard Warning Strips use **continuous bars**, which are 20mm wide and have a radius profile raised 6mm higher than the surface of the paving, to denote a hazard, such as the top/bottom of a flight of steps.

The standard width of warning area is 17 bars at 50mm spacing to achieve 800mm of tactile distance which is the set back 400mm from the hazard, ie the top or bottom step. The strips should be parallel to the edge of the hazard.

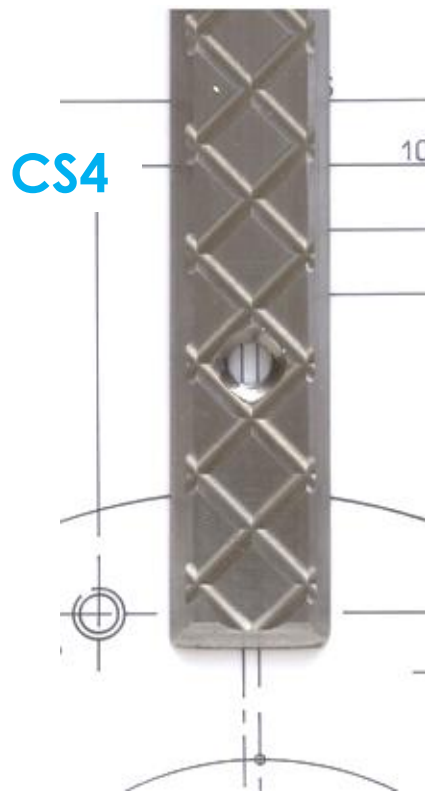
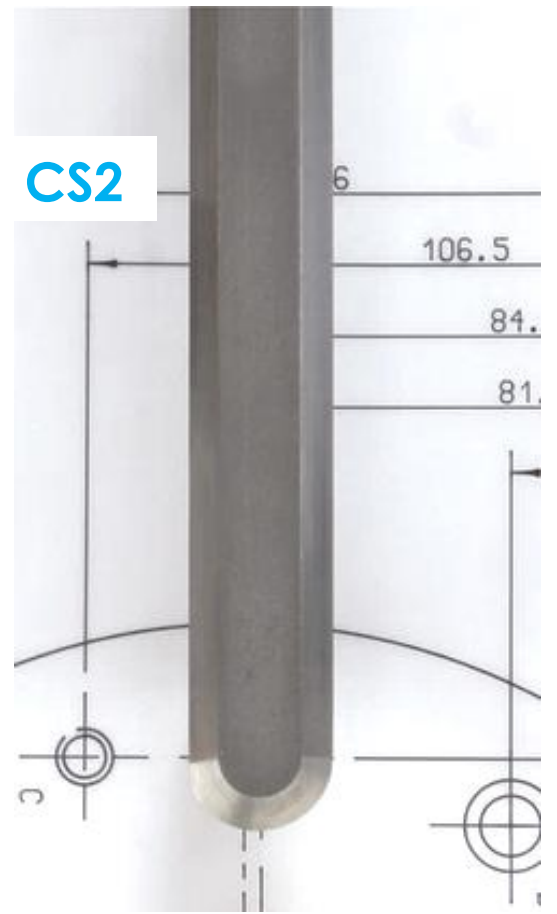
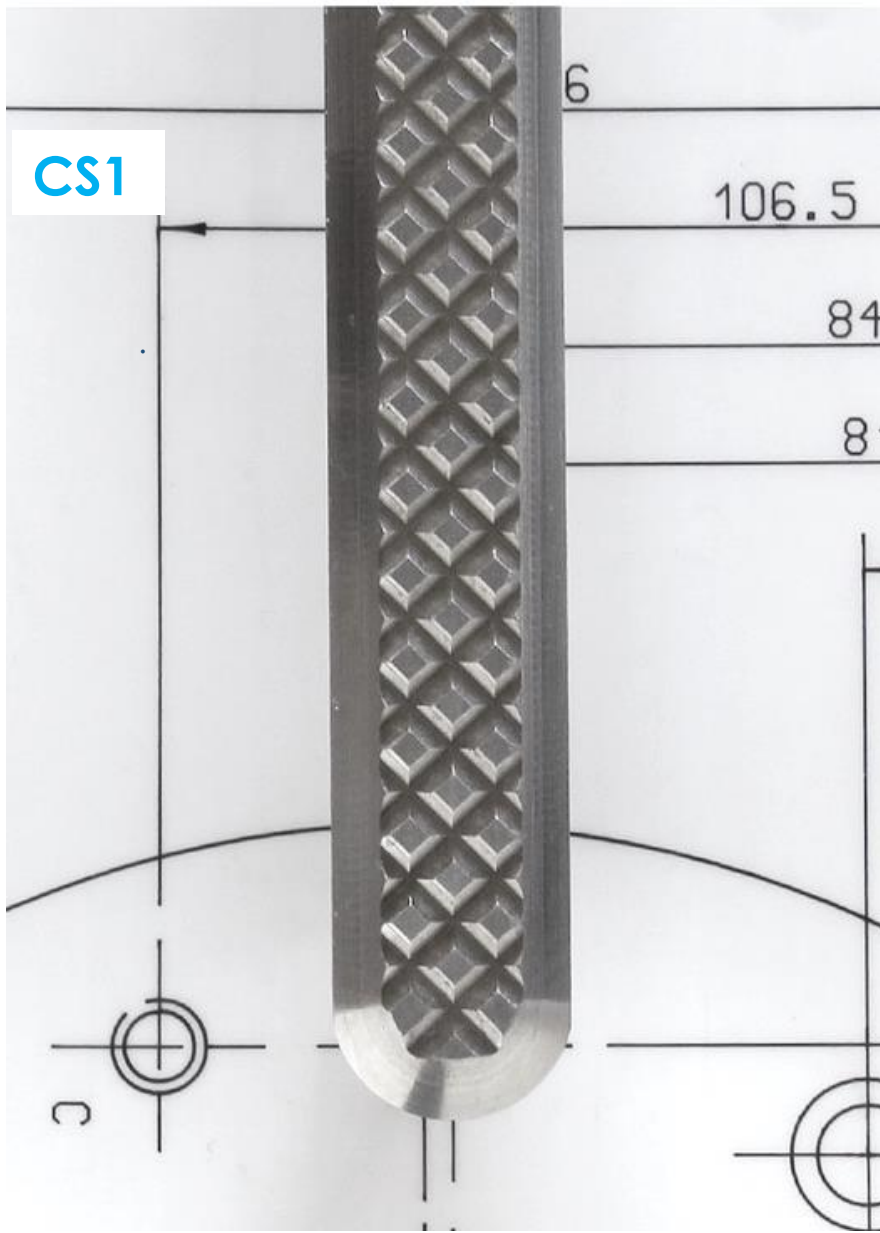
TPS Corduroy is manufactured with 'Cross-Grip' serrations on the top of the profile which creates an **Anti-Slip surface**.

The underside of the bars are manufactured with fixing studs 8mm × 30mm long. These are screwed in to the bar at 120mm spacing and then welded, these enable the bars to be securely held in place along its length with epoxy resin, providing a very secure and concealed fixing.

Corduroy bars are available in standard lengths of 990mm and have a radius at both ends. This allows a 10mm water drain gap between each bar.

Alternatively, **bars can be made to order** at specific lengths **up to 1800mm**.





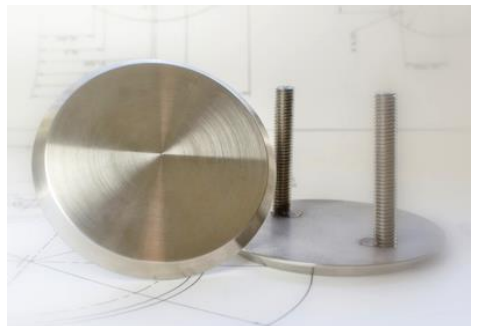
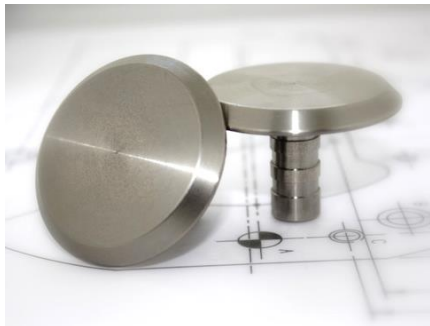
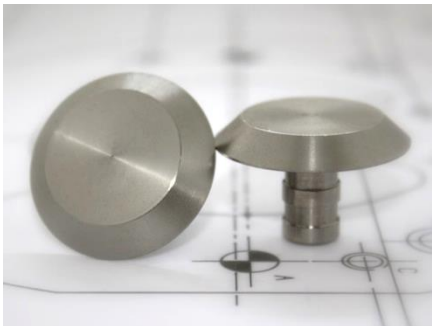
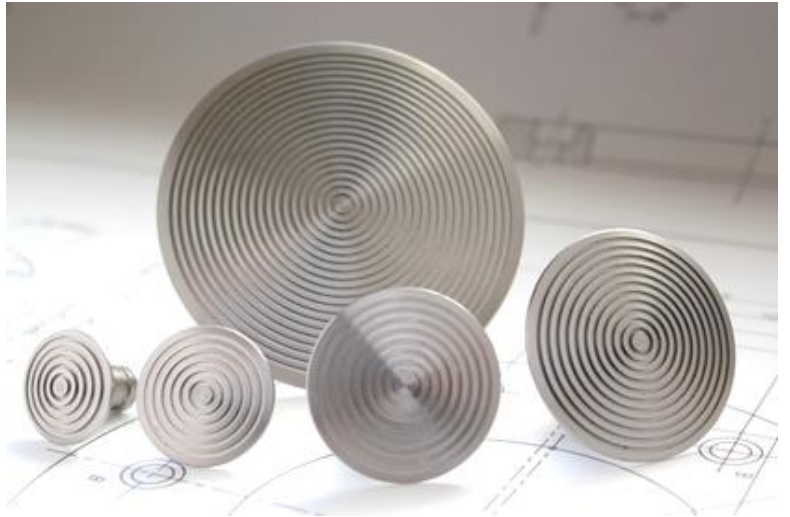


LOW DOMED DEMARCATION STUDS

The low domed range has been designed as a **marker stud** which is not a trip hazard as there is no leading edge and the **height is low** and will not confuse the blind or partially sighted.

The studs range from the small 25mm diameter studs which are used for demarcating boundary lines and eating areas outside coffee houses and the larger studs which can be used on roads or pathways to demarcate parking bays or boundary issues.

The low domed demarcation studs are available in sized from 25 mm - 90 mm diameters.



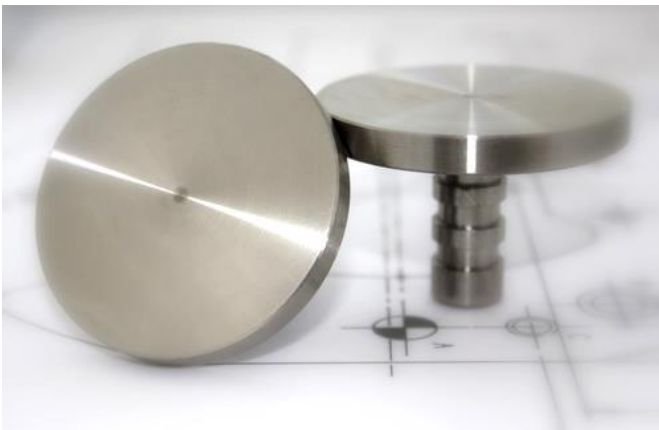


VISUAL AIDS

Visual aids for steps are a **retro fitted product** that shows a colour contrast and **helps people to see the edge of steps**. These can be fitted to existing steps such as hotels and office blocks without causing too much disruption as there is no need to replace the steps.

Visual aids for steps are available in:

- Flush fitted studs, these range from 15 mm up to 50 mm diameter and are available in stainless steel, brass and black composite.
- Flush fitted inlay, these range from 25 mm up to 50 mm and are available in stainless steel , brass and black composite.
- Surface mounted studs, these range from 25 mm up to 50 mm diameter and are available in stainless steel and brass
- Step nosing's are available in lengths of up to 2000 mm and are manufactured out of stainless steel.





SKATEBOARDING AND ANTI-SOCIAL DETERRENTS

Stops skateboarders, roller bladders and BMX bikers from damaging the edges of expensive hard landscape installations and material such as wall tops, copings, steps, benches ect.

We can manufacture 35 mm diameter spheres to fit onto the edge of walls and copings. These can be machined to any profile from square 90 degree corners to any radius required. The 35 mm spheres can be manufactured to bolt onto tubular handrails.

We also manufacture straps which can be used on wall tops but these are ideal for steps as they are low profile and don't create a trip hazard.

We manufacture cone shaped studs which can be used on window sills and wall tops to stop people sitting where there not wanted.

TPS is open to any new ideas or designs and can manufacture bespoke products to order. Below are a few items we manufacture and fit.





LOGO AND SPECIALLY DESIGNED STUDS

We can supply numbered studs for car parking bays or for houses, for disabled bays and cycle ways.

We can supply brass and stainless steel studs to look like a stain glass window to demark a walk around Sunderland and Jarrow.

We can also supply leaf shaped studs that were fitted as pavement art and fitted brass studs that created sunflower design.

